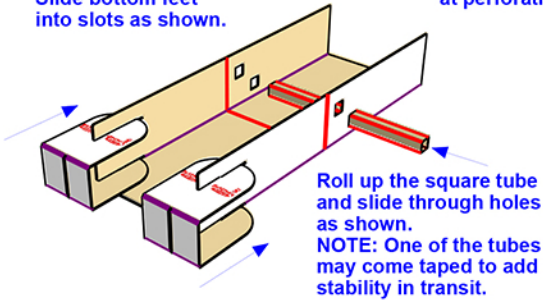


# The Elephant™ Panel Stand Assembly Instructions

## SINGLE PANEL OPTION

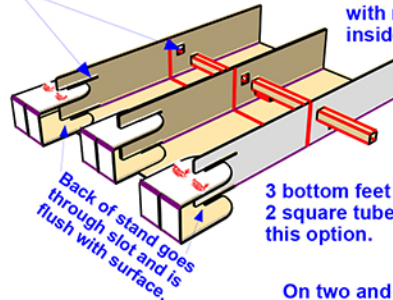
Lay on flat surface.  
Slide bottom feet  
into slots as shown.



Roll up the square tube  
and slide through holes  
as shown.  
NOTE: One of the tubes  
may come taped to add  
stability in transit.

Remove excess material  
at perforations.

## 2 PANEL OPTION

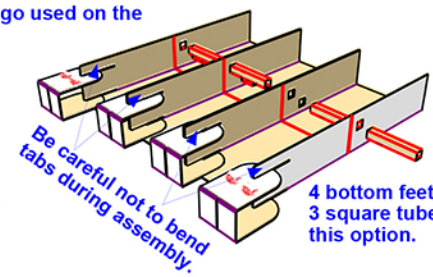


Back of stand goes  
through slot and is  
flush with surface.

3 bottom feet  
2 square tubes on  
this option.

Two feet with logos must be  
on the outside ends and feet  
with no logo used on the  
inside.

## 3 PANEL OPTION

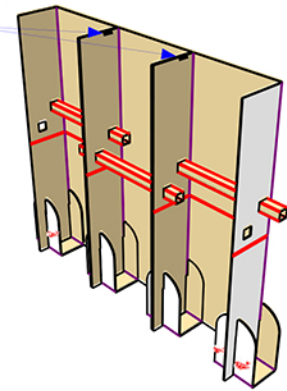
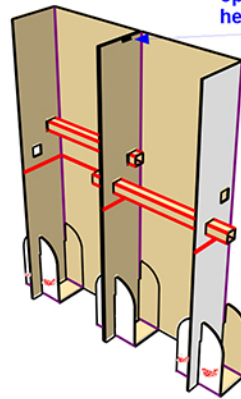
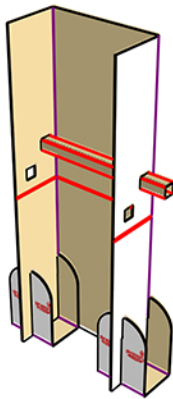


Be careful not to bend  
tabs during assembly.

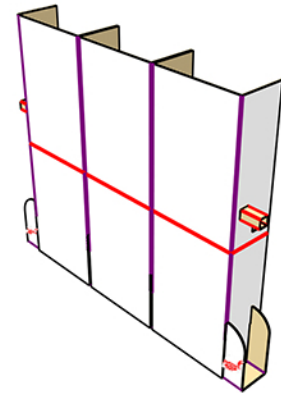
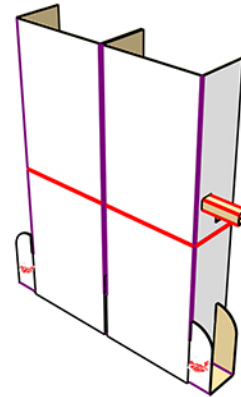
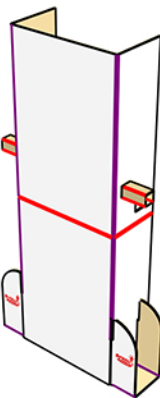
4 bottom feet  
3 square tubes or  
this option.

On two and three panel  
options place binder clips  
here for secure hold.

Back view



Front view



This stand, when taken care of properly, should last for several years. Just make sure to carefully unassemble and put back into shipping box for storage. If in the future you need to replace a panel or want to upgrade to a larger size, you can order individual panels right from our site. FYI, as you can see the shipper is very large. Therefore, we recommend you order any extra panels in a single order to reduce shipping cost. Other points regarding this stand:

- Poster mounts work great to mount our draft boards to the stand, but thumbtacks (not included) work even better
- Make sure to be careful when inserting the tubes into the squares as the cardboard will tear if you are not careful
- If added stability is needed, try putting a weight on each of the feet during the draft (almost a must for outdoor drafts)
- Cardboard absorbs moisture over time. DO NOT STORE in a damp/moist environment, or the stand will be ruined.
- If you are in a bind and need more horizontal space, you can swing one or both of the legs forward if you take out the tubes. It won't be as stable, but it will work in a pinch.



Rather watch our instructional video?

Go to [BrunosDraftBoards.com](http://BrunosDraftBoards.com), and search "panel stand".

Video will be in each of the Panel Stand product pages.

**BrunosDraftKits.com**  
**(314)961-KITS**

Panel Stand Instructions Football 2016